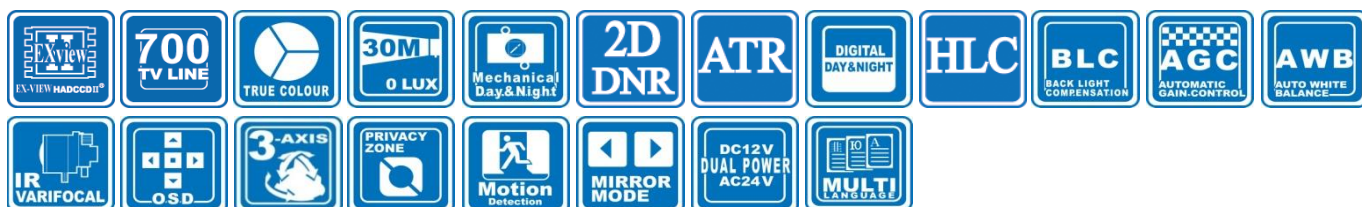




Indoor IR LEDs Color ExView II Dome Camera

- 700TVL Horizontal Resolution
- 2D Digital Noise Reduction (2D-DNR)
- Varifocal Lens f=2.8~12.0mm
- Min. Illumination of 0 Lux (IR LEDs on)
- True Mechanical Day & Night w/ Built-in 30 IR LED's
- ATR / HLC / Privacy Masking / Motion Detection / Mirror
- Multi-Language OSD
- 3-Axis Gimbal Bracket
- Supports DC 12V / AC 24V Power Supply

NEW

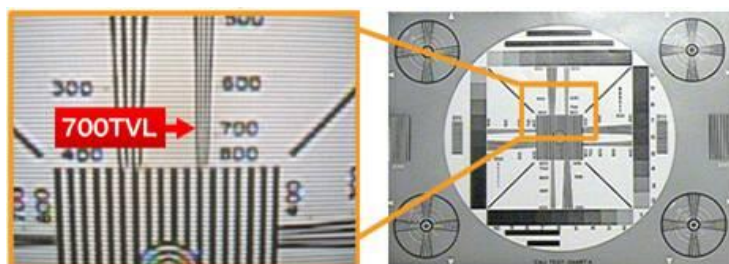


Key Features

- 1/3"960H SONY ExView Super HAD CCD II
- 700TVL Horizontal Resolution
- Varifocal f2.8 ~12.0mm
- True Day & Night (ICR) W Built-in 30 IR LEDs
- Fast Shutter Speed (1/60 ~ 1/100,000 sec)
- 2D Digital Noise Reduction (2D DNR)
- Adaptive Tone-curve Reproduction (ATR)
- Back Light Compensation (BLC)
- Highlight Compensation (HLC)
- 4-Zone Privacy Masking
- 4-Zone Motion Detection
- Mirror /Brightness / Contrast / Sharpness / HUE/ Gain
- On Screen Display (OSD) Menu W/ Multi Language Support
- Supports DC 12V / AC 24V Power Supply
- Multi-Language OSD
- Monitor Output Terminal for Easy Servicing

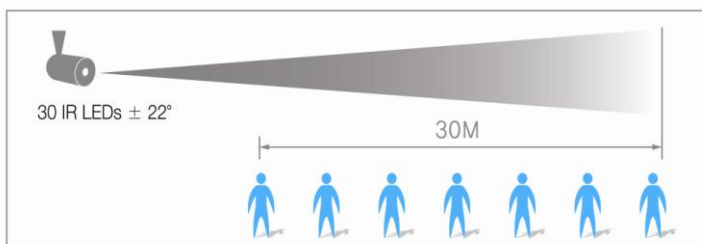
Superior Image Resolution of 700 TV Lines

A lot of resolution packed in our Night Vision Dome. See the clarity with 700 TV Lines of resolution. Ideal for discrete locations, transit industry, financial institutions and practical for Indoor or Outdoor environments.



0 Lux Min. Illumination with 30 IR LEDs

The KPC-DNE100NUV18 is equipped with Built-in High performance 30 units of IR LEDs that make the detected dark object extremely bright visual image in total darkness without any light. This camera can cover the reliable Video surveillance up to 100 Feet Long Distance



* Specifications & Features are subject to change without prior notice.

Part No.: KPC-DNE100NUV18

ATR(Adaptive Tone-curve Reproduction)

KPC-DNE100NUV18 provides gradation compensation to improve the contrast of subjects both low-luminance areas and high luminance areas as exist in the same picture

Conventional camera

960H 700TVL camera



High Color Reproduction)

KPC-DNE100NUV18 equipped with more Excellent Color reproduction. Wide Range ATW (1,800K to 10,500K)



Convenient OSD Menu

Camera settings can be easily controlled or adjusted by using the built-in joystick to access the integrated On-Screen Display (OSD) menu. Multiple language options are available: English, Spanish, German, Russian, Japanese, French, Portuguese

Secondary Monitor Output Terminal

The built-in secondary monitor output terminal gives the convenience of on-the-spot adjustments of the angle and focus.

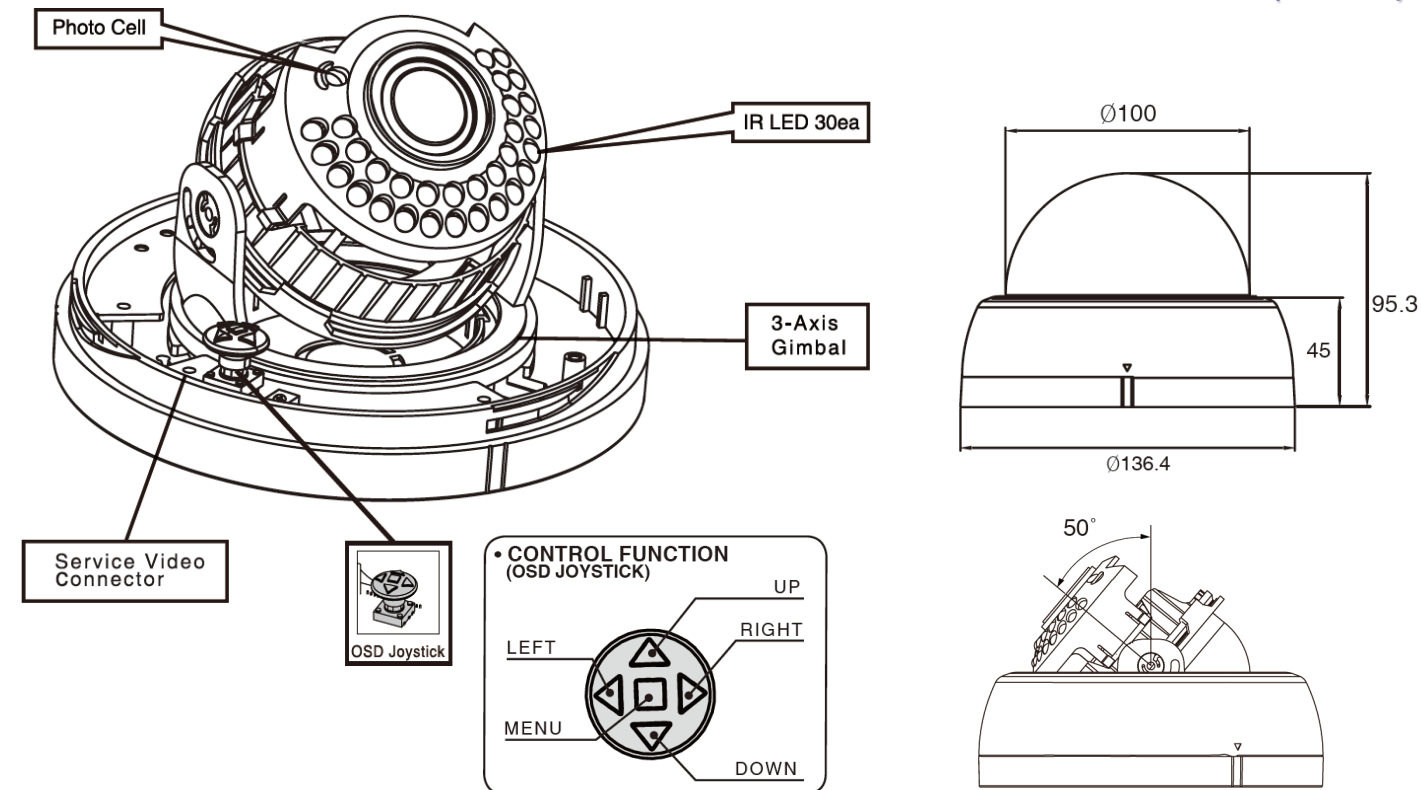
3 -Axis Rotating Mechanism

This camera is mounted on a 3-axis rotating platform, which allows an installer to easily adjust the field of view horizontally, vertically, and/or with a rotary movement. With this feature, you don't need to worry about where the camera is attached and/or how it is oriented.



General Feature Diagram

(Unit: mm)



* Specifications & Features are subject to change without prior notice.

Technical Specification

Model		KPC-DNE100NUV18	
Signal System	NTSC	PAL	
Image Sensor	1/3" 960H SONY ExView Super HAD CCD II		
Scanning System	2:1 Interlace		
Horizontal Resolution	700TV Lines		
Scanning Frequency (H)	15.734 KHz	15.625 KHZ	
Scanning Frequency (V)	59.94 Hz	50 Hz	
Total Pixels	1020(H) x 508(V)	1020(H) x 596(V)	
Effective Pixels	976(H) x 494(V)	976(H) x 582(V)	
Synchronization	Internal		
Lens Size	Varifocal f=2.8 ~12.0 mm		
S/N	More than 50dB (AGC Off)		
Gamma	r=0.45		
Min. Illumination	0 Lux (IR LED On)		
Shutter Speed	1/60 ~ 1/100,000 sec	1/50 ~ 1/100,000 sec	
Day & Night	True Mechanical Day & Night (ICR)		
IR LED	30 IR LED's, 850nm (IR Wavelength), Max. 100ft (IR Distance)		
IR LED Operation	On : 1 Lux, Off : 3 Lux		
Video Output Level	1Vp-p Composite (75Ω)		
Function	On-Screen Display (OSD)	Built-in (Inner Key / Joystick)	
	BLC	Off / BLC / HLC	
	2DNR	On / OFF (Level Adjustable)	
	ATR	On / OFF (Level Adjustable)	
	White Balance	ATW / Push / User1 / User2 / Anti CR / Manual / Push-lock	
	Privacy Masking	4 Zones	
	Mirror	On / Off	
	Motion Detection	4 Zones	
	Other Function	Brightness / Contrast / Sharpness / HUE / Gain	
	Language Option	English / Japanese / German / French / Russian / Portuguese / Spanish	
Operating Temperature	-10 °C ~ 50 °C (14 °F ~ 122 °F)		
Storage Temperature	-20 °C ~ 60 °C (-4 °F ~ 140 °F)		
Humidity	Less than 80%RH		
Power Supply	DC 12V ±10% (Max. 450mA) / AC 24V ±10% (Max. 5.5W)		

* Specifications & Features are subject to change without prior notice.